



# RX4-SH FRONT FLAT MOUNT DIRECT 160 CALIPER ASSEMBLY

Straight Connector  
HBSP163

M6 Sealing Washer  
HBSP0 26

M5 Bleed Nipple  
HBSP339

Large Piston x 2  
HBSP136

Large Piston Seal x 2  
**NOTE:** Red Seal  
HBSP365

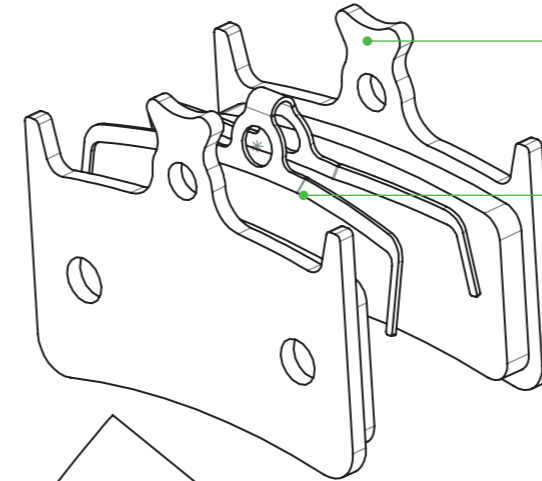
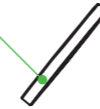
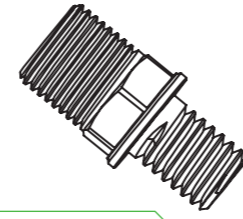
Pad pin  
HBSP204

Large Bore Cap O'ring  
**NOTE:** Red mark  
on O'ring  
OR13x1.5 HNBR

Large Bore Cap  
HBSP369

Small Bore Cap  
HBSP368

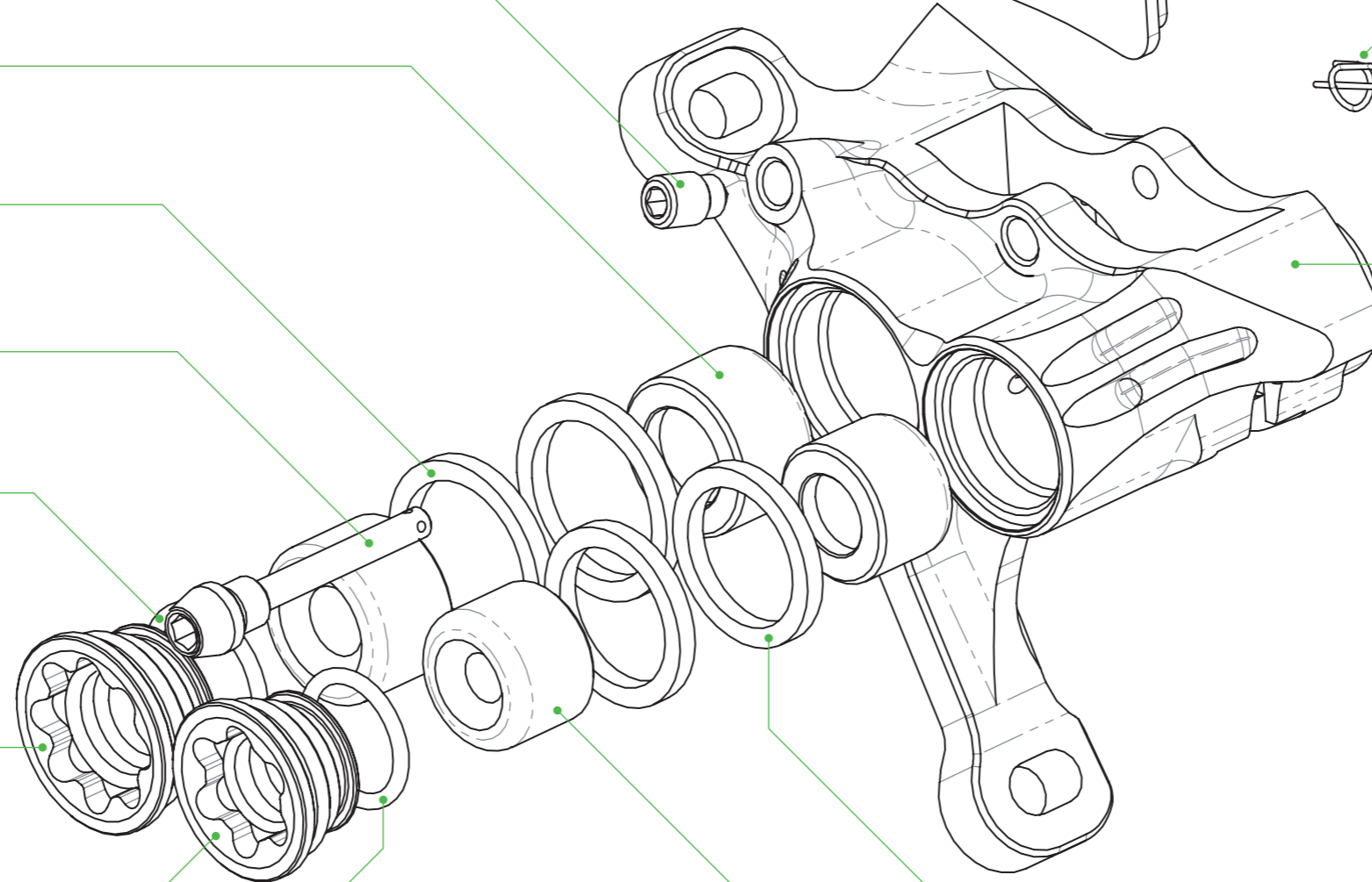
Small bore cap O'ring  
**NOTE:** Red mark  
on O'ring  
OR11x1.5 HNBR



Brake Pad  
HBSP323

Pad Spring  
HBSP142

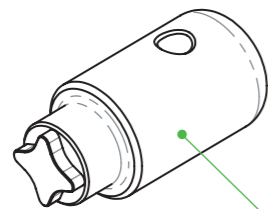
Pad Pin R clip  
HBSP171



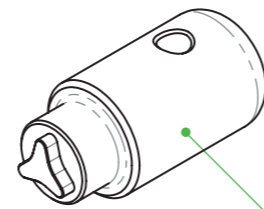
RX4-SH Caliper body  
Front Flat Mount Direct 160  
HBSP373

Small Piston seal x 2  
**NOTE:** Red Seal  
HBSP364

Small Piston x 2  
HBSP135



Large Bore cap tool  
HTTC-TC  
NOT TO SCALE



Small Bore cap tool  
HTTC-TB  
NOT TO SCALE



**ONLY USE MINERAL OIL  
WITH THIS CALIPER.**

- » Compatible supplied bore cap O'Ring must have a red distinctive mark on them
- » Compatible supplied piston seals must be red